

Introduction

Use the following diagrams to rebuild the Fluke 718 Pressure Calibrator pump.

How to Contact Fluke

To order accessories, receive operating assistance, or get the location of the nearest Fluke distributor or Service Center, call one of the following telephone numbers:

USA and Canada: 1-888-99-FLUKE (1-888-993-5853)

Europe: +31 402-678-200

Japan: +81-3-3434-0181

Singapore: +65-738-5655

Anywhere in the world: +1-425-356-5500

Address correspondence to:

Fluke Corporation
P.O. Box 9090
Fluke Everett, WA
98206-9090
U.S.A.

Fluke Europe B.V
P.O. Box 1186,
5602 BD Eindhoven
The Netherlands

Or, visit Fluke's Web site at www.fluke.com.

LIMITED WARRANTY & LIMITATION OF LIABILITY

This Fluke product will be free from defects in material and workmanship for 90 days from the date of purchase. This warranty does not cover fuses, disposable batteries or damage from accident, neglect, misuse or abnormal conditions of operation or handling. Resellers are not authorized to extend any other warranty on Fluke's behalf. To obtain service during the warranty period, send your defective tester to the nearest Fluke Authorized Service Center with a description of the problem.

THIS WARRANTY IS YOUR ONLY REMEDY. NO OTHER WARRANTIES, SUCH AS FITNESS FOR A PARTICULAR PURPOSE, ARE EXPRESSED OR IMPLIED. FLUKE IS NOT LIABLE FOR ANY SPECIAL, INDIRECT, INCIDENTAL OR CONSEQUENTIAL DAMAGES OR LOSSES, ARISING FROM ANY CAUSE OR THEORY. Since some states or countries do not allow the exclusion or limitation of an implied warranty or of incidental or consequential damages, this limitation of liability may not apply to you.

Parts List

Reference Designator	Description	Part Number
MP11-14	O-ring	146688
MP15	Nylon Spacer	687449
MP16	Piston, Pump	-
MP17	Piston, Vernier	-
Not Shown	718 Pump Rebuild Kit Service Information	1270835

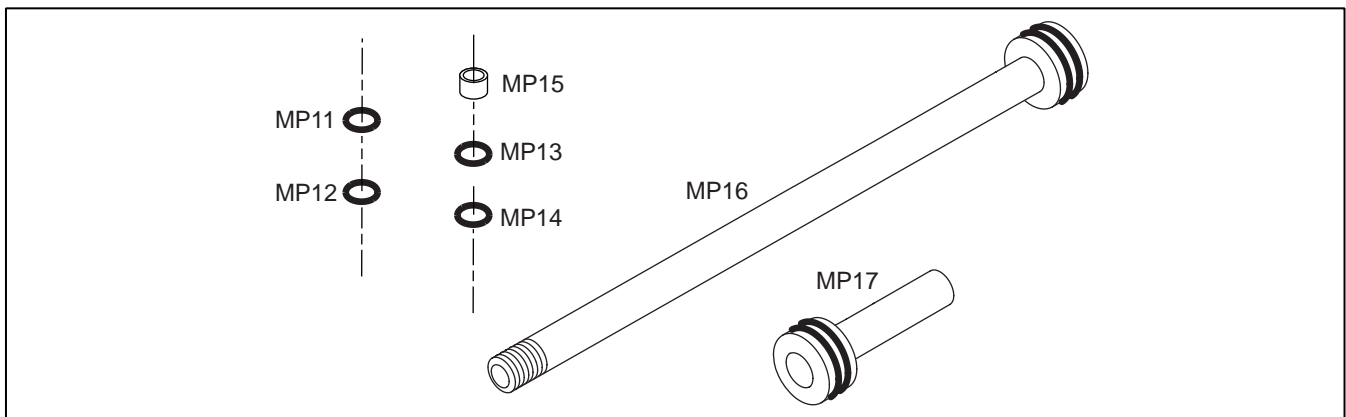
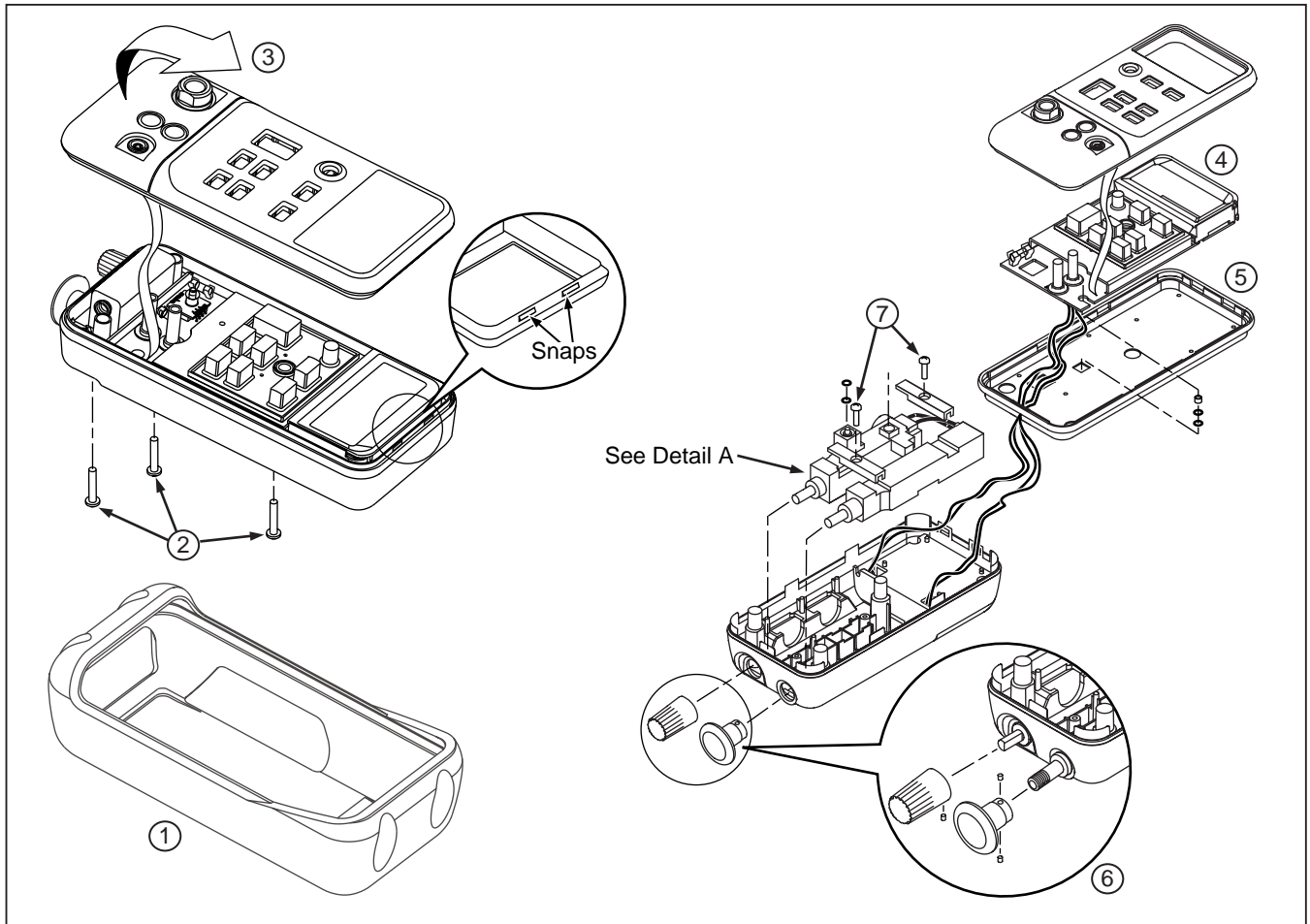


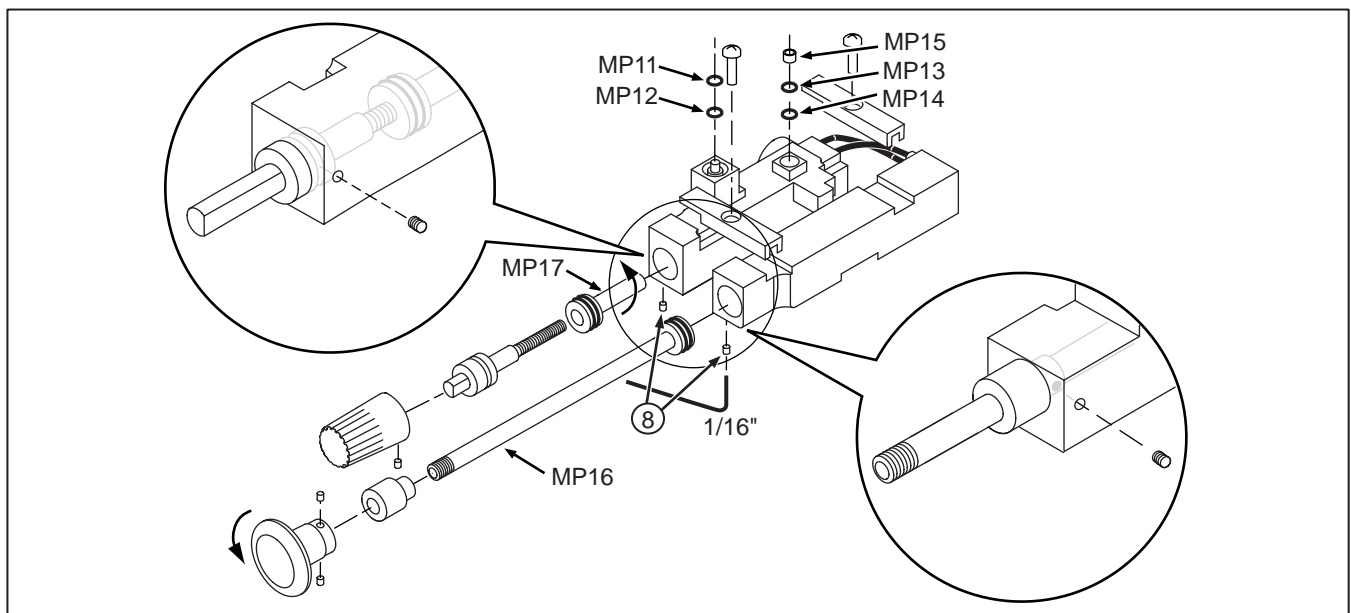
Figure 1. Pump Rebuild Kit Parts

zc01f.eps

Assembly Drawings



zc02f.eps



zc03f.eps